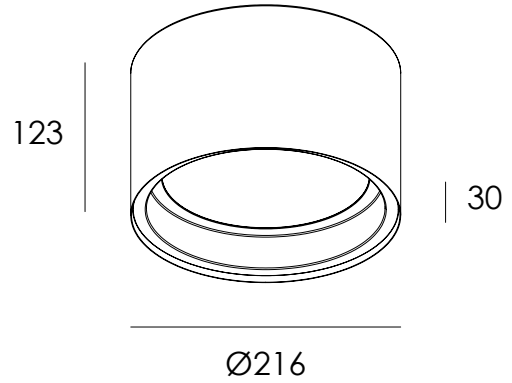
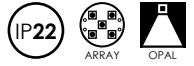


DEEP C 210 SM

SURFACE MOUNTED LUMINAIRES

DARKON

THE EDGE OF LIGHT



DESIGN FEATURES

- Opal diffuser for low glare applications
- Minimal trim for a 'trim-less' appearance
- 108 exit lumens per system watt
- 80+ colour rendering
- High colour tolerance Macadam 3
- Complies with AS/NZS 60598.2.1
- L80 / F10 = 40,000 hours @ 700mA / 75°C TP

INSTALLATION FEATURES

- Removable internal assembly for ease of maintenance
- Australian designed and assembled
- Supplied 100% pre-built
- 5 year warranty
- 10 year extended warranty optional
- Project specific labelling referencing type numbers
- Easy to follow install guide

LUMEN PERFORMANCE

TRIDONIC CLE 160mm LED

350mA 14.6 W 1570 lm

500mA 20.3 W 2193 lm

SYSTEM WATTAGE / EXIT LUMENS @ 4000K

OPTIONS

FINISH INT: White / Black

FINISH EXT: White / Black

CURRENT: 350mA / 500mA

COLOUR TEMP: 3000K / 4000K

DIMMING: Non Dim / DALI / Switch Dim / Phase Dim

FLEX: Flex & plug / No flex & plug

PROJECT:

TYPE NO.:

QTY:

REV: 07/12/20

DARKON.COM.AU