

# DEEP/ER DOWN

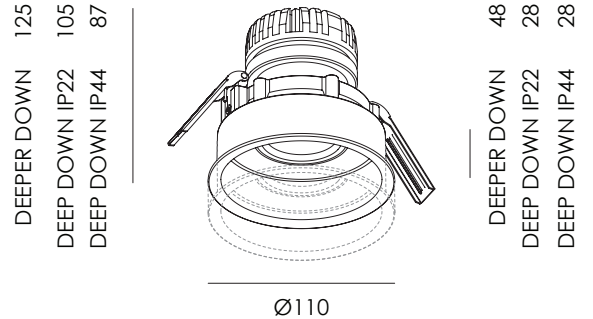
RECESSED LUMINAIRE

**DARKON™**  
THE EDGE OF LIGHT

Ensure that products are mounted with supplied, recommended or appropriate screws and fixings to suit the mounting surface.

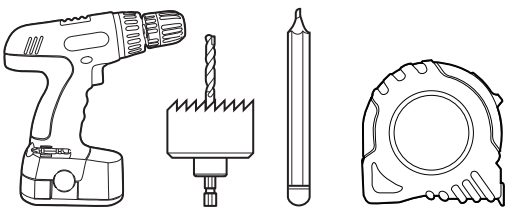
## WARNING

INSTALLATION IS ONLY TO BE CARRIED OUT BY SUITABLY QUALIFIED PERSONS IN ACCORDANCE WITH INSTALLATION INSTRUCTIONS AND ALL APPLICABLE REGULATIONS OR STANDARDS. (IMPROPER INSTALLATION CAN CREATE AN ELECTRICAL HAZARD WITH RISK OF ELECTRIC SHOCK, FIRE OR INJURY). DARKON WILL NOT BE HELD RESPONSIBLE FOR ANY CONSEQUENCES ARISING FROM IMPROPER PRODUCT HANDLING, STORAGE OR INSTALLATION.

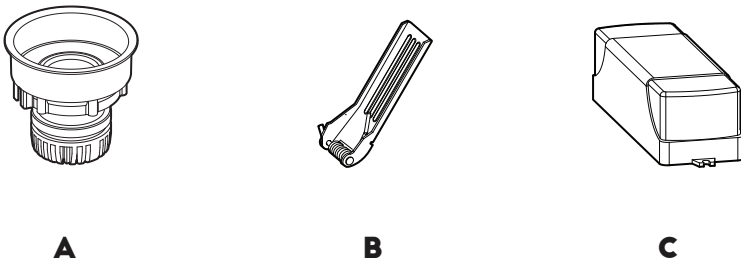


## TOOLS REQUIRED

WALLBOARD SAW / SCREW DRIVER / PENCIL / APPROPRIATE MEASURING INSTRUMENTS



## COMPONENTS



## MAINTENANCE



Wipe product with a clean dry microfiber cloth. Do not use any cleaning products/ chemicals to clean product.

## SERVICING

-This is a non-servicable fitting. Remote powersupply can be replaced if deemed faulty.

## NOTE:

APPLICABLE FOR DEEP DOWN IP22, IP44 & DEEPER DOWN.

FOR OPTIMAL LONGEVITY, ENSURE UNRESTRICTED AIRFLOW OVER LUMINAIRE. DO NOT COVER



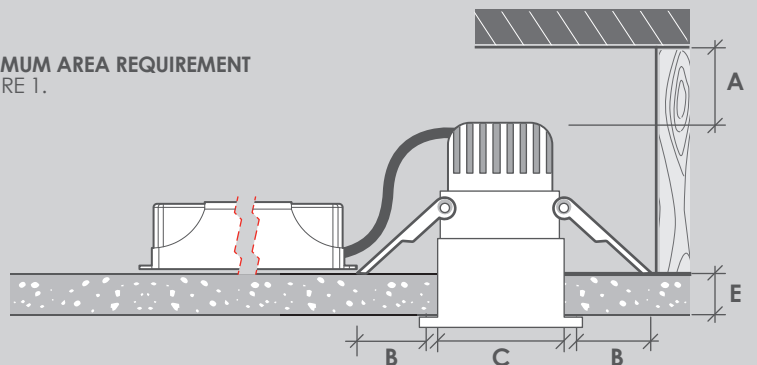
## 1:1 DETAIL

Markings indicate where to pierce paper w/ pencil and rotate.

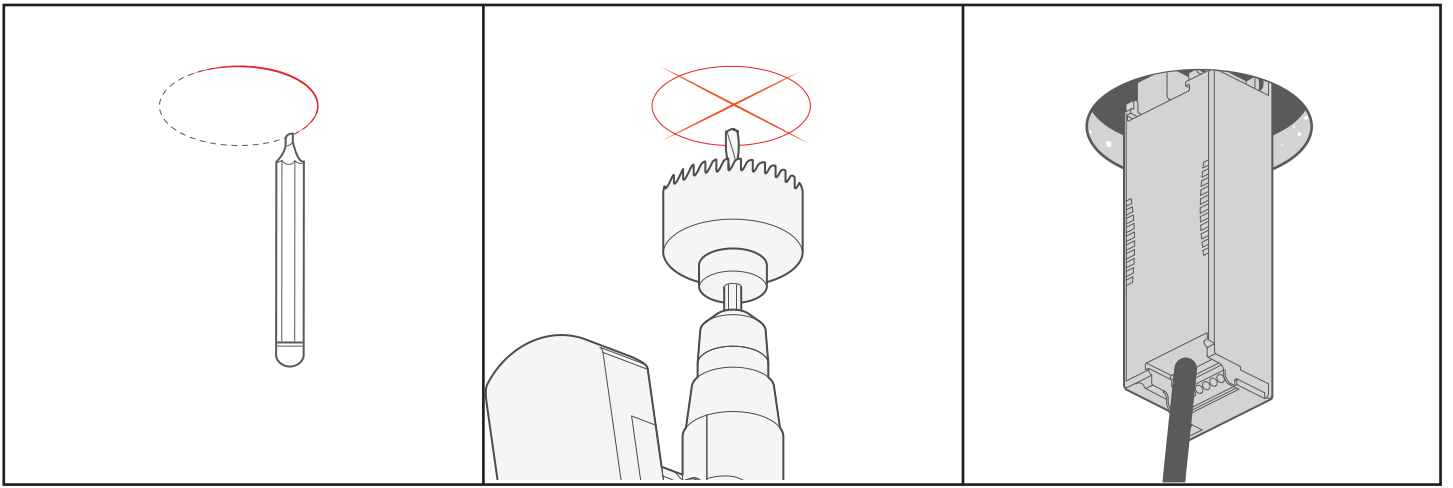
DISTANCE	DESCRIPTION
A) 50MM (MINIMUM)	CLEARANCE FOR TOP OF LUMINAIRE
B) 50MM	MOUNTING BRKT CLEARANCE
C) Ø102mm	DEEP/ER DOWN CUTOUT

## MINIMUM AREA REQUIREMENT

FIGURE 1.



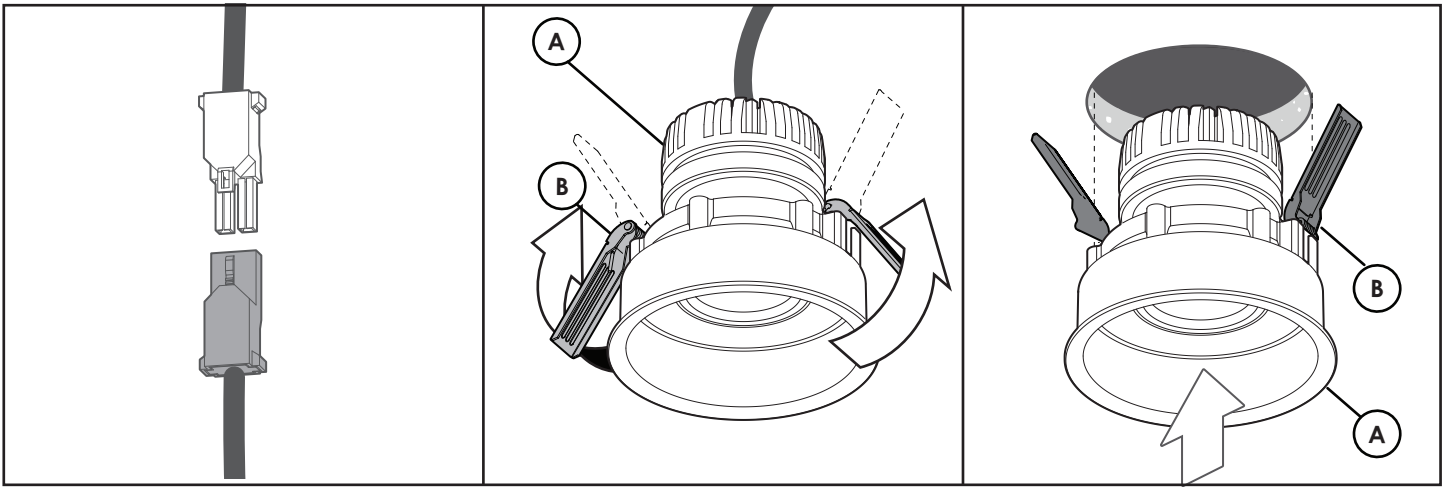
**IP22/IP44**



**1.**  
Measure and mark the appropriate placement of luminaire. Refer to figure A for critical dimensions.

**2.**  
Using a holesaw, cut out the necessary hole for the luminaire.

**3.**  
Insert driver into cutout.



**4.**  
Connect appropriate plugs.

**5.**  
Pullback spring clips

**6.**  
Ensure spring clips are installed correctly.