

DEEP C SM

SURFACE MOUNTED PROFILE

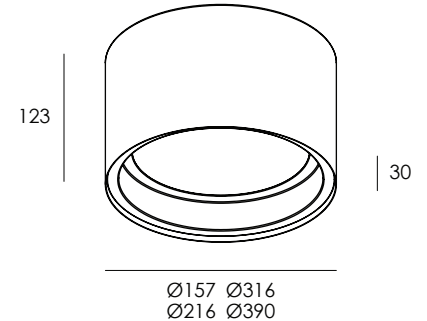
DARKON™

THE EDGE OF LIGHT

Ensure that products are mounted with supplied, recommended or appropriate screws and fixings to suit the mounting surface.

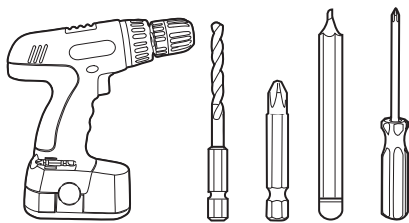
WARNING

INSTALLATION IS ONLY TO BE CARRIED OUT BY SUITABLY QUALIFIED PERSONS IN ACCORDANCE WITH INSTALLATION INSTRUCTIONS AND ALL APPLICABLE REGULATIONS OR STANDARDS. (IMPROPER INSTALLATION CAN CREATE AN ELECTRICAL HAZARD WITH RISK OF ELECTRIC SHOCK, FIRE OR INJURY). DARKON WILL NOT BE HELD RESPONSIBLE FOR ANY CONSEQUENCES ARISING FROM IMPROPER PRODUCT HANDLING, STORAGE OR INSTALLATION.

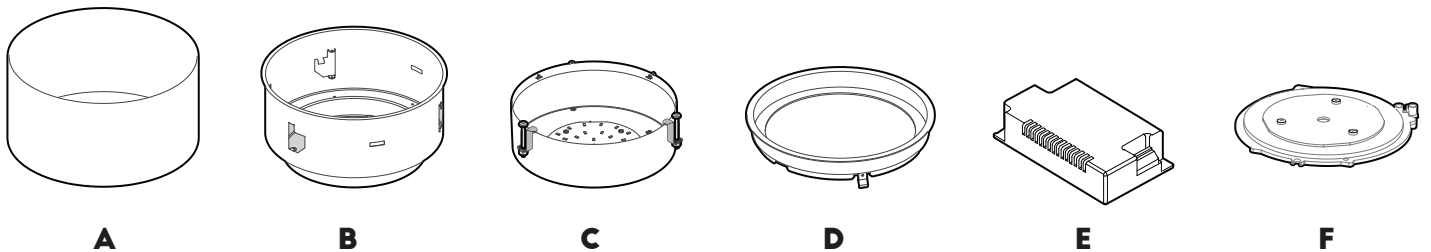


TOOLS REQUIRED

POWER DRILL / DRILL BIT / PHILLIPS DRIVER / PENCIL / SCREWDRIVER



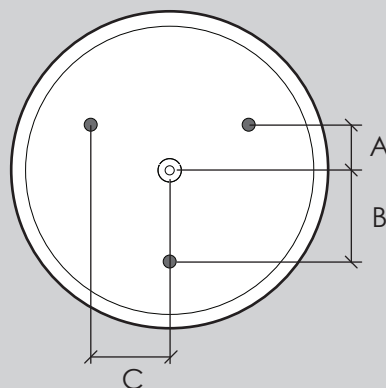
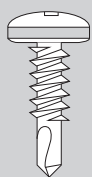
COMPONENTS



LUMINAIRE DIMENSIONS

FIGURE 1.

Ø5 MM MOUNTING HOLES
PLACED EVENLY AROUND
A CIRCULAR ARRAY
SPACING SIZE SPECIFIC



	(A)	(B)	(C)
Ø160	25 MM	50 MM	44 MM
Ø210	38 MM	75 MM	65 MM
Ø310	50 MM	100 MM	87 MM
Ø385	68 MM	135 MM	117 MM

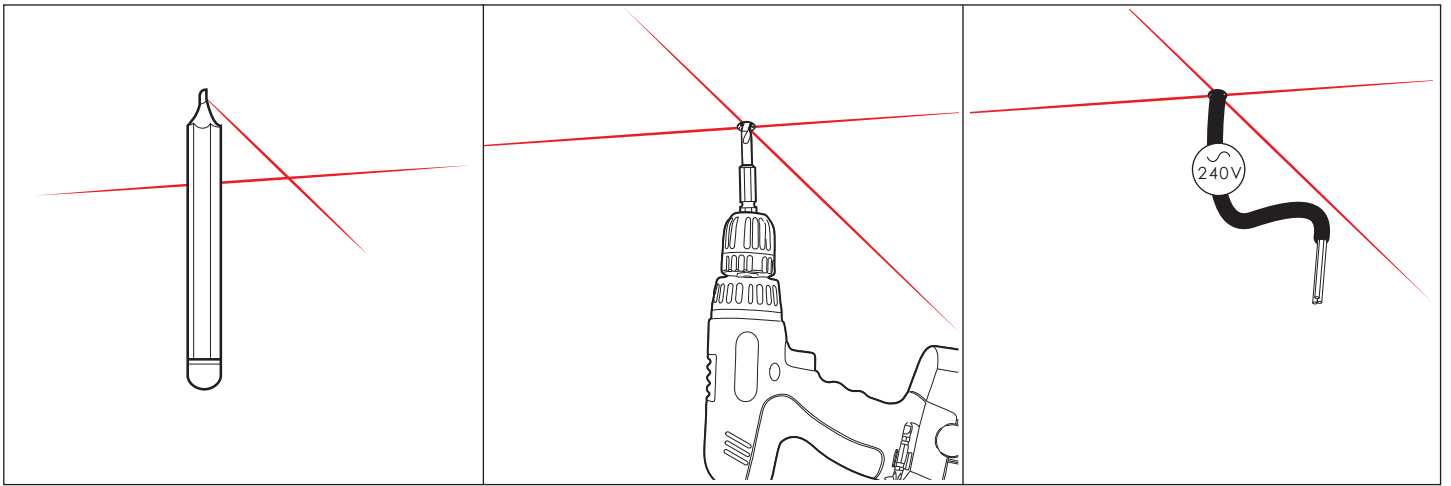


27.09.18

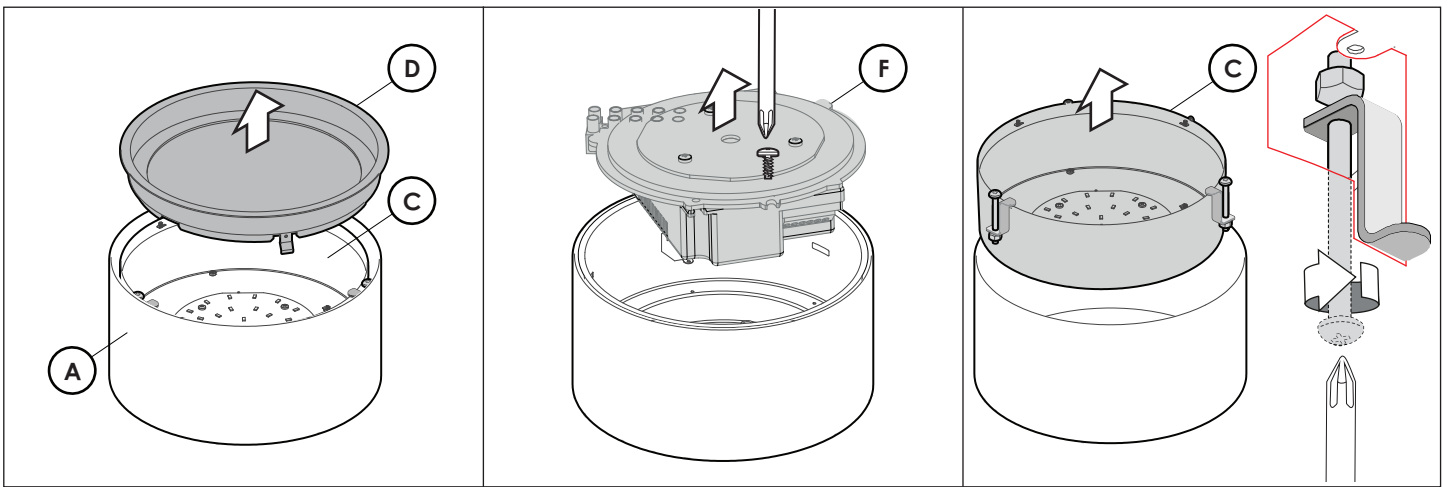
www.darkon.com.au

1/3

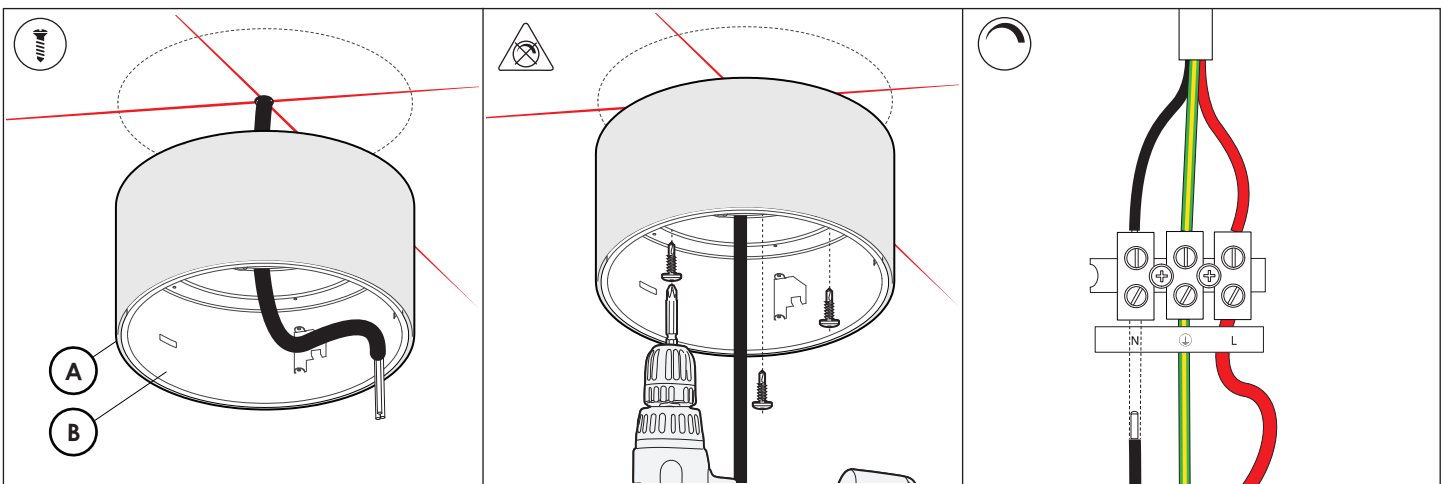
REVISION 02



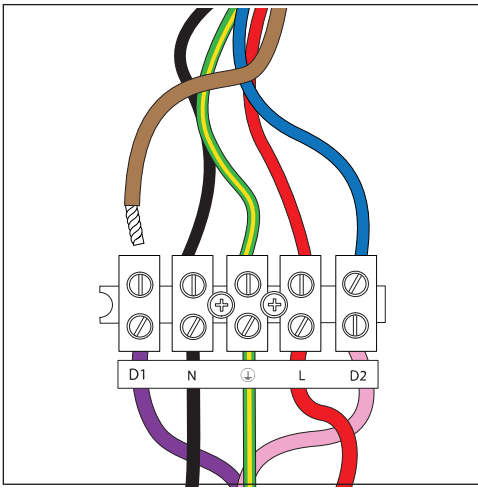
- 1.**
-Measure and mark the appropriate placement of luminaire. Refer to figure A for mounting hole locations.
- 2.**
-Drill all appropriate holes for powerfeed & pilot holes (if necessary).
- 3.**
-Pull powercable(240V) through ceiling



- 4.**
-Unassemble fitting by removing diffuser(C)
- 4B. IF $\varnothing 160$ OR $\varnothing 210$**
-Remove Gear tray(F) by unfastening screws. Retain screws.
- 5.**
-Remove spinning(D) by rotating brackets to clearance portion of cutout.

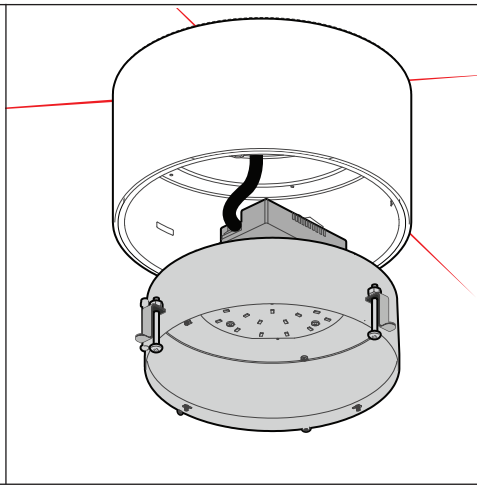


- 6.**
-Keep recessedbody(B) fastened to mainbody(A). Thread Powerfeed(240V) through assembly.
- 7.**
-Fix mainbody(A) onto ceiling with appropriate fastener(fastener not supplied) see figure 1 for mounting details.
- 8A. IF NON DIM**
-Wire primary wires into terminal.



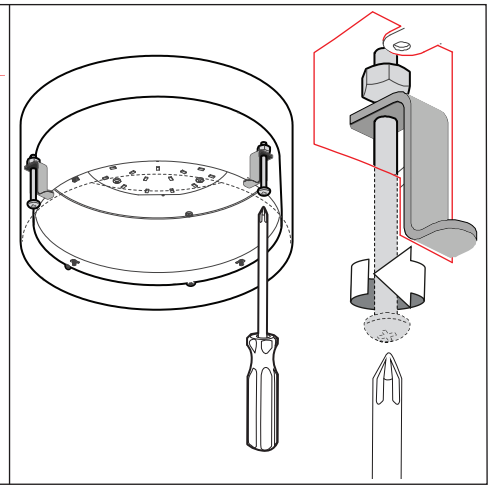
8B. IF DIM.

- Wire primary wires into terminal.
- Wire dimming wires into terminal.



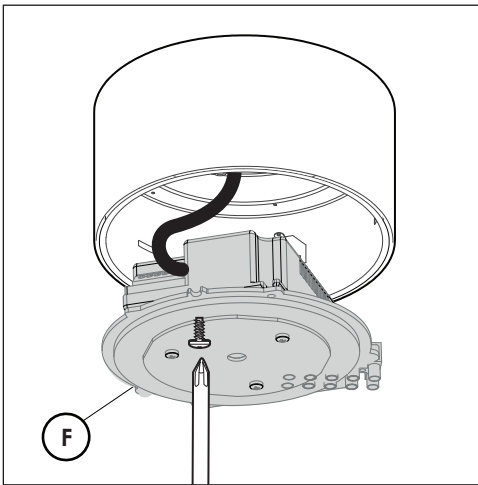
9.

- Install gear tray by rotating brackets to overlap shorter portion of cutout.



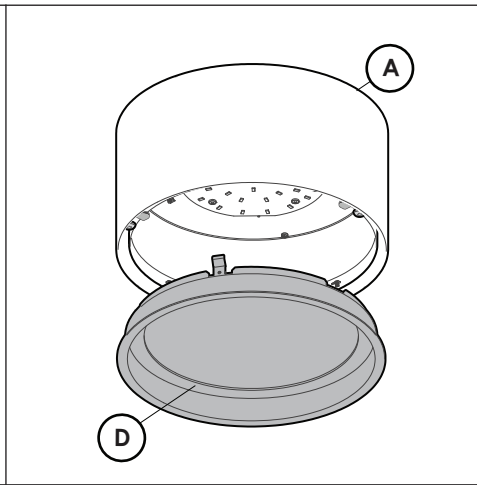
10.

- Install gear tray by rotating brackets to overlap shorter portion of cutout.



10B. IF $\varnothing 160$ OR $\varnothing 210$

- Insert Gear Tray(F) onto recessbody(B) w/ retained fasteners.



11.

- Clip in internal diffuser back into assembly.

***THIS PAGE IS LEFT
INTENTIONALLY BLANK***