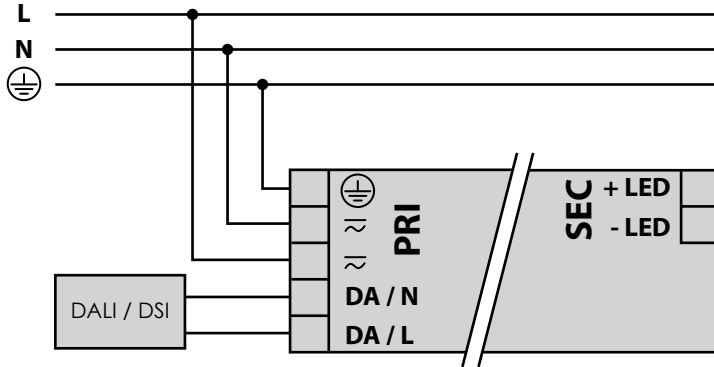
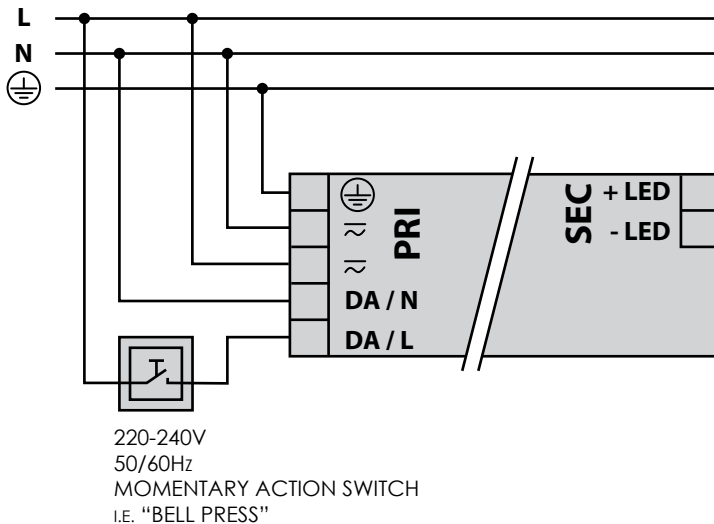


DALI / DSI DIM



**5 CORE WIRE REQUIRED TO FITTING
FOR USE WITH DALI / DSI CONTROL SYSTEM**

SWITCH DIM



**5 CORE WIRE REQUIRED TO FITTING
FOR USE WITH MOMENTARY ACTION SWITCH AT WALL**

MOMENTARY ACTION SWITCH USE:

*Brief push (< 0,6 s) switches LED Driver ON and OFF.
The LED Drivers switch-ON at light level set at switch-OFF.
When the momentary action switch is held, LED modules are dimmed.
After re-push the LED modules are dimmed in the opposite direction.*