

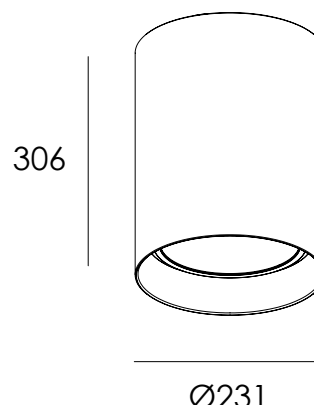
HUNG-AIR SM

SURFACE MOUNTED LUMINAIRES

DARKON

THE EDGE OF LIGHT

IP65 LED



HUNG-AIR SM is a high powered downlight ideal for commercial applications with high ceilings. The deep recess of LED reduces glare while maintaining a 60° optic.

SPECIFICATIONS

COLOUR

WHITE / BLACK / CUSTOM

LAMP

LUXEON ARRAY LED

OUTPUT

86W / 350mA / 8,543lm

NOTE: SYSTEM WATTAGE / EXIT LUMENS AT 4000K, 60°

COLOUR TEMP

3000K / 4000K

OPTICS

60°

DIMMING

DALI

MOUNTING OPTIONS

SM / SUS

CODE NAME

NAME:

HUNG-AIR

MOUNTING:

SM

COLOUR:

WHT

BLK

CUST

WATTAGE:

86W

COLOUR TEMP:

3K

4K

OPTICS:

60°

DIMMING:

NON DIM

DIM

FLEX:

NO PLUG

FLEX & PLUG

EXAMPLE CODE NAME

HUNG-AIR / SM / WHT / 86W / 3K / 60° / DIM / FLEX & PLUG

PROJECT:

LUMINAIRE REF:

QTY:

SPECIFIER DETAILS:

REVISION: 24/07/19

DARKON.COM.AU