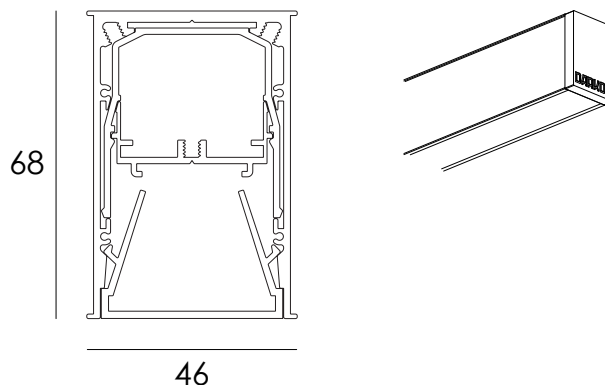


IP22 LED



Slim C LED WALL is a surface mounted wall light that can be positioned for up or down illumination. It is part of the slim range utilising the slim 40mm lens and uses the light tray 40 LED with Tridonic Linear Light Engine HE or HO LED boards.

SPECIFICATIONS

COLOUR

WHITE / BLACK / SILVER / CUSTOM

LAMP

TRIDONIC STARK LLE24 HE / HO G4

OUTPUT P/MTR

HE 350mA: 16.9W p/mtr 1,414 lm p/mtr

HE 400mA: 19.4W p/mtr 1,586 lm p/mtr

HE 450mA: 21.4W p/mtr 1,724 lm p/mtr

HE 500mA: 23.8W p/mtr 1,882 lm p/mtr

HO 350mA: 31.2W p/mtr 2,764 lm p/mtr

HO 400mA: 35.7W p/mtr 3,093 lm p/mtr

HO 450mA: 40.6W p/mtr 3,357 lm p/mtr

HO 500mA: 45.8W p/mtr 3,665 lm p/mtr

NOTE: SYSTEM WATTAGE / EXIT LUMENS @ 4K

COLOUR TEMP

3000K / 4000K

LENS

OPAL V

COMBO DE-GLARING

COMBO ASYMMETRICAL

DIMMING

DALI / DSI / SWITCH DIM

MOUNTING OPTIONS

SM / SUS / UP / WALL

CODE NAME

NAME:

SLIM C LED

LENGTH:

LENGTH OUST:

MOUNTING:

WALL

COLOUR:

WHT

BLK

SLV

CUST

COLOUR OUST:

LENS:

OPAL V

C-DG

C-ASY

LIGHT TRAY:

LT40

OUTPUT:

HE

HO

CURRENT:

350mA

400mA

450mA

500mA

COLOUR TEMP:

3K

4K

DIMMING:

NON DIM

DIM

EXAMPLE CODE NAME

SLIM C LED / 605 / WALL / BLK / OPAL V + LT40 / HE / 350mA / 3K / DIM

PROJECT:

LUMINAIRE REF:

QTY:

SPECIFIER DETAILS:

REV: 16/01/18

DARKON.COM.AU