

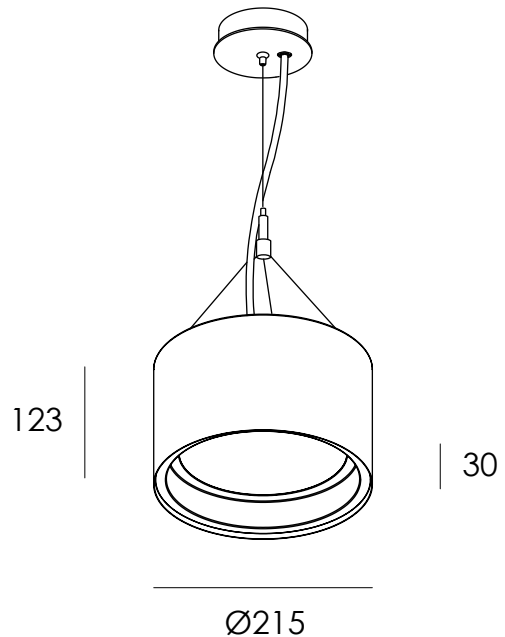
DEEP C 210 SUS

SUSPENDED LUMINAIRES

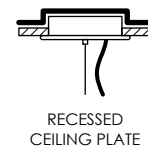
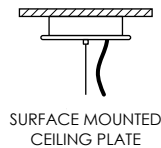
DARKON

THE EDGE OF LIGHT

IP22 LED



Deep C 210 SUS is a suspended luminaire with integrated driver and recessed matte opal lens for diffused light distribution and reduced glare. It utilises Tridonic Circular Light Engine LED technology for efficient high output illumination. The surface body allows for 2-tone finish.



SPECIFICATIONS

COLOUR EXTERNAL

WHITE / BLACK

COLOUR INTERNAL

WHITE / BLACK

LAMP

TRIDONIC STARK CLE 160

OUTPUT

15.8W / 350mA / 1,284lm

21.0W / 500mA / 1,884lm

NOTE: SYSTEM WATTAGE / EXIT LUMENS @ 4K

COLOUR TEMP

3000K / 4000K

DIMMING

DALI DIM: DALI / DSI / SWITCH DIM

PHASE DIM: 240V LEADING + TRAILING EDGE PHASE DIM

SUSPENSION

2M OR 4M HEIGHT ADJUSTABLE SUSPENSION

MOUNTING OPTIONS

REC / SM / SUS

CODE NAME

NAME:

DEEP C 210

MOUNTING:

SUS 2M SUS 4M

COLOUR INT:

WHT BLK

COLOUR EXT:

WHT BLK

CEILING PLATE:

WHT SM BLK SM WHT REC BLK REC

WATTAGE:

15.8W 21.0W

COLOUR TEMP:

3K 4K

DIMMING:

DALI DIM PHASE DIM

EXAMPLE CODE NAME

DEEP C 210 / SUS 2M / WHT / WHT / WHT SM / 15.8W / 3K / DALI DIM

PROJECT:

LUMINAIRE REF:

QTY:

SPECIFIER DETAILS:

REV: 08/03/18

DARKON.COM.AU