

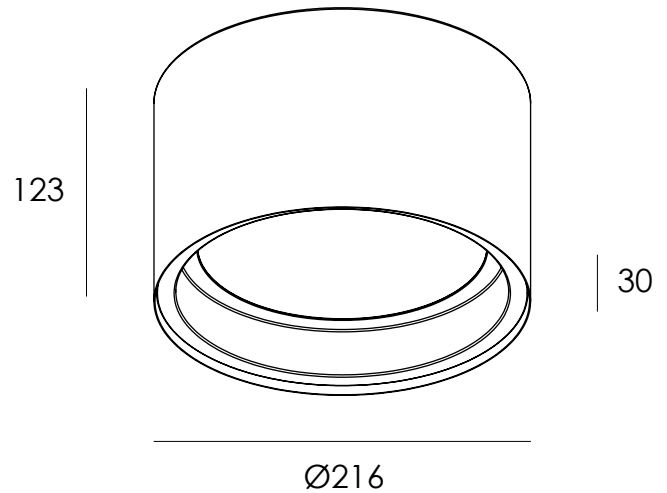
DEEP C 210 SM

SURFACE MOUNTED LUMINAIRES

DARKON

THE EDGE OF LIGHT

IP22 LED



Deep C 210 SM is a surface mounted luminaire with integrated driver and recessed matte opal lens for diffused light distribution and reduced glare. It utilises Tridonic Circular Light Engine LED technology for efficient high output illumination. The surface body allows for 2-tone finish.

SPECIFICATIONS

COLOUR EXTERNAL

WHITE / BLACK

COLOUR INTERNAL

WHITE / BLACK

LAMP

TRIDONIC STARK CLE 160

OUTPUT

15.8W / 350mA / 1,284lm

21.0W / 500mA / 1,884lm

NOTE: SYSTEM WATTAGE / EXIT LUMENS @ 4K

COLOUR TEMP

3000K / 4000K

DIMMING

DALI DIM: DALI / DSI / SWITCH DIM

PHASE DIM: 240V LEADING + TRAILING EDGE PHASE DIM

MOUNTING OPTIONS

REC / SM / SUS

CODE NAME

NAME:

DEEP C 210

MOUNTING:

SM

COLOUR INT:

WHT

BLK

COLOUR EXT:

WHT

BLK

WATTAGE:

15.8W

21.0W

COLOUR TEMP:

3K

4K

DIMMING:

DALI DIM

PHASE DIM

FLEX:

FLEX

NO FLEX

EXAMPLE CODE NAME

DEEP C 210 / SM / WHT / WHT / 18.3W / 3K / DALI DIM / NO FLEX

PROJECT:

LUMINAIRE REF:

QTY:

SPECIFIER DETAILS:

REV: 08/03/18

DARKON.COM.AU